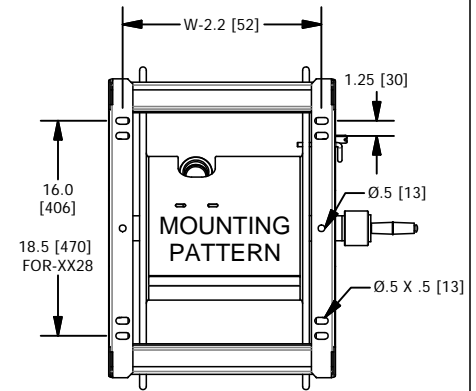
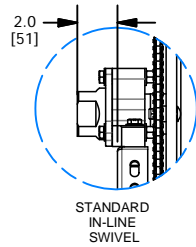
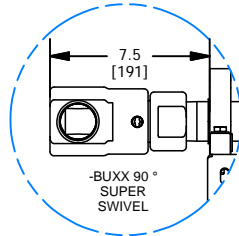
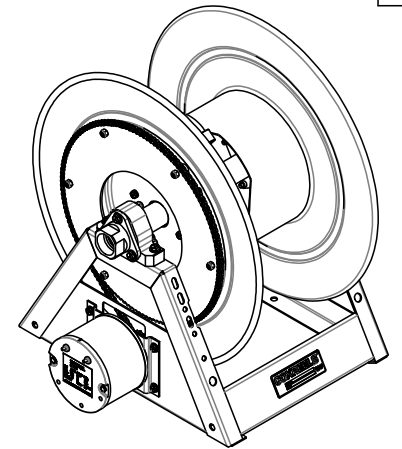
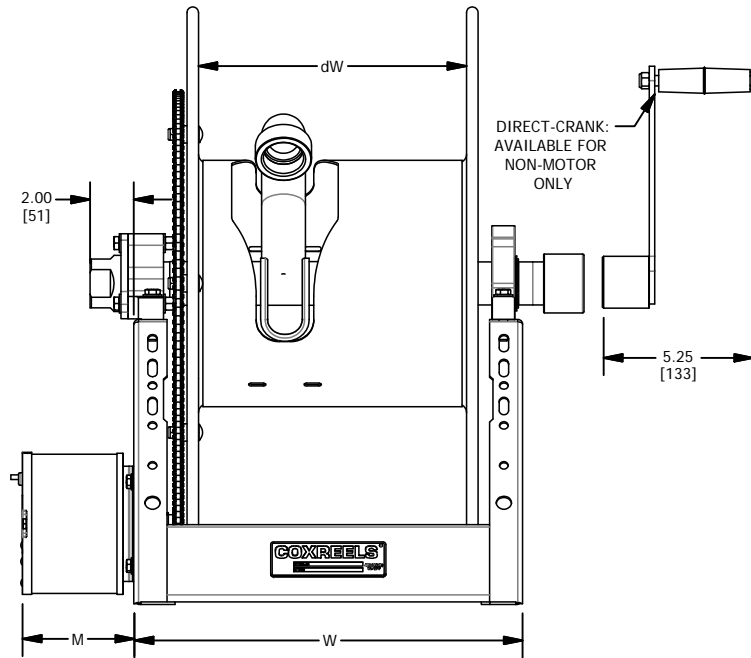
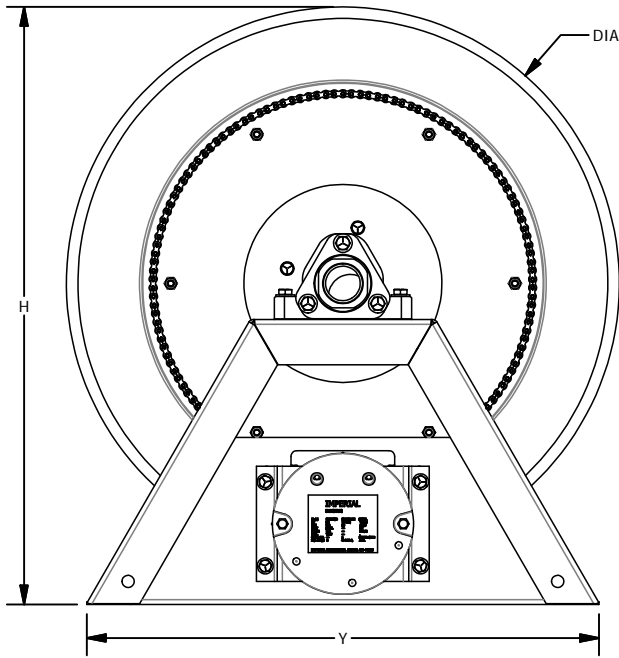


in[mm]



MOTOR DRIVE SYSTEM	DIMENSION "M" in[mm]	ADD TO WEIGHT lb [kg]
ELECTRIC MOTOR: 1/3 HP (12VDC,24VDC)	4.88 [124]	13 [6]
ELECTRIC MOTOR: 1/2HP (12V & 24VD C,115V & 230V AC)	6.59 [167]	26 [12]
AIR MOTOR (4 VANE, ALUMINUM)	3.93 [100]	6 [3]
AIR MOTOR (6 VANE, IRON)	5.42 [138]	8 [4]
HYDRAULIC	3.77 [96]	6 [3]

SPECIFICATIONS		
FEATURE	SPEC.	OPTION
PRESSURE	1500 PSI [138 BAR]	3000 PSI [275 BAR]
TEMPERATURE	-40 F TO 225 F [-40 C TO 107 C]	-60 F TO 400F [-51 C TO 204 C] (HOSE DEPENDANT)
INLET THREAD	1.5" NPT FEMALE	1.25" NPT/ BSP FEMALE OR MALE
OUTLET THREAD	1.5" NPT FEMALE	1.25" NPT/ BSP FEMALE OR MALE

MATERIAL SPECIFICATIONS		
COMPONENT	MATERIAL	OPTIONS
PLUMBING	STEEL	302/304 STAINLESS STEEL
SWIVEL	INLINE NI PLATED STEEL	32 STAINLESS STEEL 90 DEGREE SS OR NI
SEALS	NITRILE	VITON, EPDM, AFLAS
REEL	STEEL	-
BEARINGS	BRONZE, SELF LUBE	-
DRAG BRAKE	BRAKE PAD COMPOSITE	-
CHAIN GUARD	STEEL	-
FINISH	BLUE POLYESTER POWDER COAT	RED(R), GREEN(N), WHITE(W), BLACK[WRINKLE(C)/GLOSS(K)] GREY(G)

MODEL	DIA in[mm]	dW in[mm]	W in[mm]	Y in[mm]	H in[mm]	CAPACITY 1.25" (1-13/16" OD) ft[m]	CAPACITY 1.5" (2-1/16" OD) ft[m]	WEIGHT lb[kg]
1185-1124	24 [610]	11.5 [292]	17 [432]	22.25 [565]	26 [660]	75 [23]	50 [15]	76 [34.5]
1185-1524	24 [610]	15.5 [394]	21 [533]	22.25 [565]	26 [660]	100 [30]	75 [23]	81 [37]
1185-2020	20 [508]	11.5 [292]	25.5 [648]	19.6 [498]	21.6 [550]	80 [25]	70 [21]	70 [32]
1185-2024	24 [610]	20 [508]	25.5 [648]	22.25 [565]	26 [660]	125 [38]	100 [30]	94 [43]
1185-2028	28 [711]	20 [508]	25.5 [648]	24.5 [622]	30 [762]	180 [55]	125 [38]	109 [49]
1185-2528	28 [711]	25 [635]	30.5 [775]	24.5 [622]	30 [762]	220 [67]	150 [46]	122 [55]
1185-3324	24 [610]	33 [838]	38.5 [978]	22.25 [565]	26 [660]	225 [69]	175 [53]	154 [70]
1185-3328	28 [711]	33 [838]	38.5 [978]	24.5 [622]	30 [762]	325 [99]	250 [76]	169 [77]

**PART NUMBER**

DISK Ø      COLOR      ROLLERS & SETUP

**1185 - XX XX - XX - XXXX**

DRUM WIDTH      MOTOR, CRANK & BRAKE OPTIONS      PLUMBING & SWIVEL OPTIONS

**UNLISTED OPTIONS & CUSTOM REELS**

NOT ALL OPTIONS ARE LISTED, CONTACT YOUR SALES REPRESENTATIVE OR FACTORY FOR ADDITIONAL OPTIONS & CUSTOM MODIFICATIONS

**COXREELS**

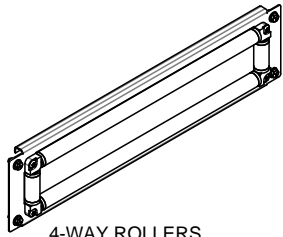
5865 S Ash Avenue Tempe, Az 85283  
1-800-COX-REEL www.coxreels.com

THIS DOCUMENT CONTAINS PROPRIETARY INFORMATION AND IS THE PROPERTY OF COXREELS, INC. THE COPYING, DISTRIBUTION AND UTILIZATION OF THIS DOCUMENT AS WELL AS COMMUNICATION OF ITS CONTENT TO OTHERS WITHOUT THE WRITTEN AUTHORIZATION OF COXREELS, INC., IS PROHIBITED.

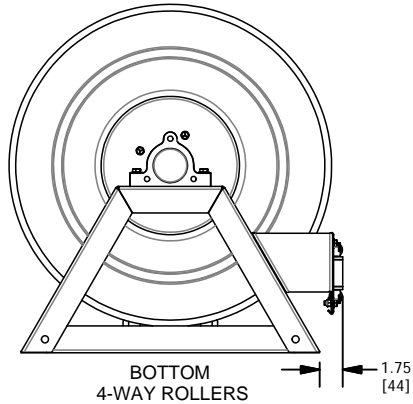
TITLE: <b>1185 SERIES</b>	
DWG. NO.: <b>1185 SERIES</b>	REV. -
3RD ANGLE	INTERPERT PER ASME : Y14.5M-1994 DO NOT SCALE DWG.
SIZE: <b>A</b>	SHT:1 OF:2

ROLLER BRACKET OPTIONS

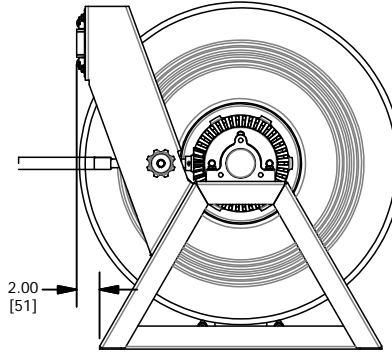
in[mm]



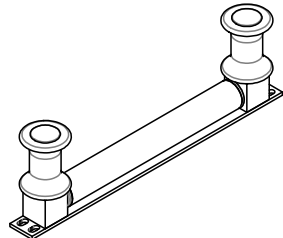
4-WAY ROLLERS  
STAINLESS STEEL  
Ø 1" ROLLERS



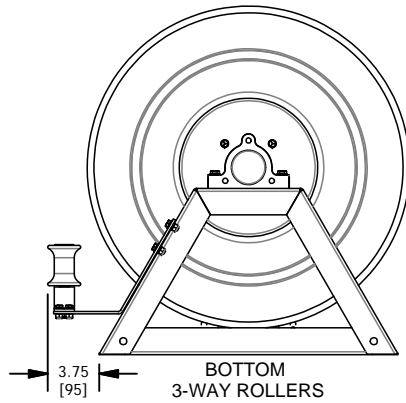
BOTTOM  
4-WAY ROLLERS



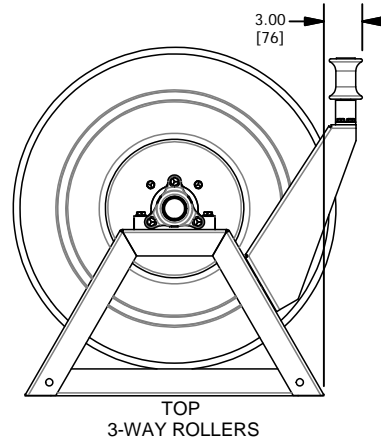
TOP  
4-WAY ROLLERS



3-WAY ROLLERS  
STAINLESS STEEL  
Ø1.5" ROLLER  
CHROME PLATED  
STEEL SPOOLS



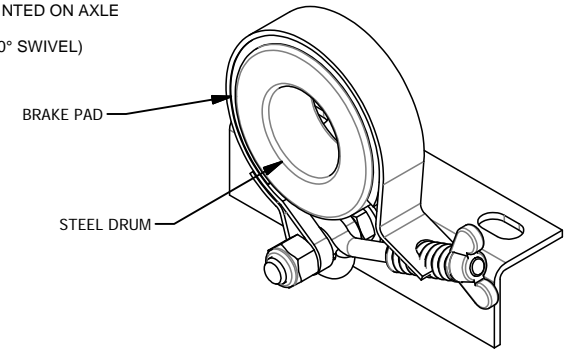
BOTTOM  
3-WAY ROLLERS



TOP  
3-WAY ROLLERS

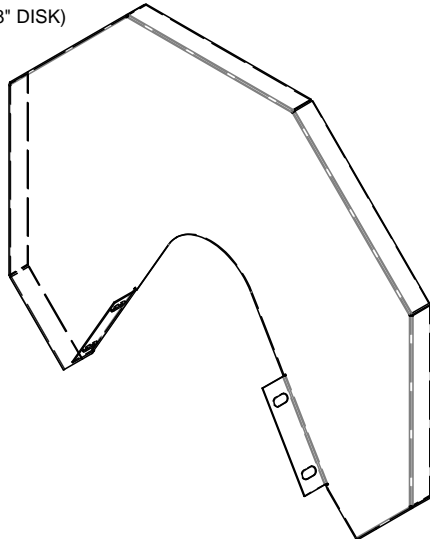
BRAKE OPTIONS

HEAVY DUTY BAND BRAKE  
BAND TYPE BRAKE WITH BONDED BRAKE PAD  
STEEL BRAKE DRUM MOUNTED ON AXLE  
NO TOOL ADJUSTMENTS  
(P/N 8302; P/N 8302-1 W/ 90° SWIVEL)  
OPTION K



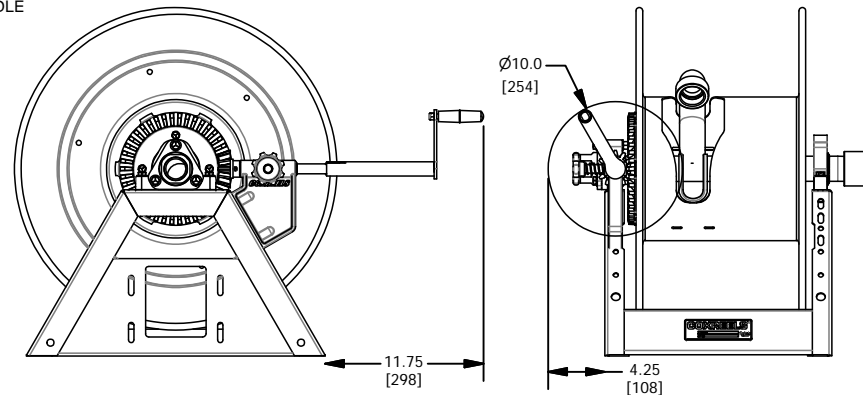
GUARDING OPTIONS

STEEL GEAR GUARD  
P/N 8176 -1 (24" DISK)  
-2 (28" DISK)



BEVEL CRANK

BEVEL CRANK WITH  
REMOVABLE HANDLE



**COXREELS**  
5865 S Ash Avenue Tempe, Az 85283  
1-800-COX-REEL www.coxreels.com  
THIS DOCUMENT CONTAINS PROPRIETARY  
INFORMATION AND IS THE PROPERTY OF COXREELS,  
INC. THE COPYING, DISTRIBUTION AND UTILIZATION  
OF THIS DOCUMENT AS WELL AS COMMUNICATION  
OF ITS CONTENT TO OTHERS WITHOUT THE WRITTEN  
AUTHORIZATION OF COXREELS, INC., IS PROHIBITED.

TITLE:		1185 SERIES
DWG. NO.:	1185 SERIES	REV. -
3RD ANGLE	INTERPERT PER ASME : Y14.5M-1994 DO NOT SCALE DWG.	SIZE: A SHT:2 OF: 2